



# Sideshift backhoe



E



## Technical Specification



**Sideshift backhoe** with **hydraulic locks** suitable for digging flush with walls.

**Hydraulic independent outriggers.**


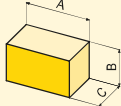
Matching with skid loaders; **controls inside the op-**

**erator's cab.**

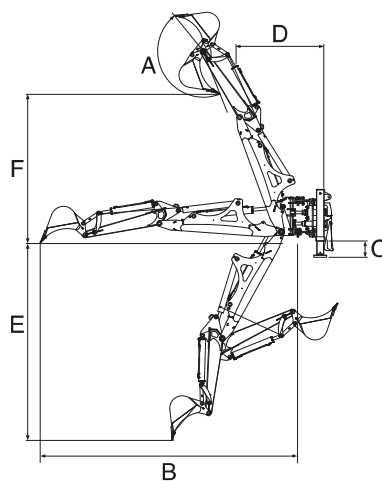
Standard backhoe bucket.

**Auxiliary hydraulic** lines on dipper stick on request.

# Sideshift backhoe

MODEL		E 250	E 280	E 320	
<b>Technical specification</b>	<b>um</b>				
Max digging depth	mm	2450	2800	3250	
Oil flow, min-max	lt/min	20-30	35-45	40-50	
Rated oil pressure	bar	160	165		
Weight standard configuration	kg	550	680	820	
Bucket width standard	mm		300		
Breakout force at bucket tooth	mm	1850	2500	3200	
Standard frame width	mm	1300	1500	1600	
Total swing			180°		
Control valvebank sections	n.		6		
Slewing hydraulic lock			standard		
A			195°		
B	mm	3080	3620	3995	
C	mm		420	470	
D	mm	1460	1620	1780	
E	mm	2450	2800	3200	
F	mm	2150	2400	2550	
	ton	1,7-2,2	2,2-3,4	3,4-4,8	
	Overall size in standard configuration	A cm B cm C cm	160 190 80	165 220 90	180 230 100

## WORKING DIMENSIONS



**On request**  
Auxiliary line for hydraulic breaker

## ACCESSORIES FOR OPERATING MACHINES



### Ajashy Engineering Sales Private Limited

1505-1506, Tower 4, 15th Floor, DLF Corporate Greens  
Southern Peripheral Road, Sector - 74A, Gurgaon, Haryana - 122004  
Fixed Lines: 0124 - 2663245 / 46 | Email: info@ajashy | Web:www.ajashy.com

